

# Explosion-Proof Exhaust Fan

The EFX Explosion-Proof Exhaust Fan is designed for hazardous and general purpose industrial applications. The EFX is constructed with epoxy-coated steel panels and spark resistant aluminum fan blades for ventilation of combustible materials, vapors and hazardous fumes. The EFX is fully assembled for easy installation, has explosion-proof motors that are CSA approved and/or UL listed with fan guards conforming to OSHA specifications.



## EFX General Specifications

<b>Approvals</b>	Motors are CSA approved and/or UL listed
<b>Hazardous Locations Classifications</b>	Class I, Div. 1 & 2, Groups C, D Class II, Div. 1 & 2, Groups E, F, G Temperature Code: T3B 329°F (165°C)
<b>Motors</b>	CSA approved and/or UL listed permanently lubricated ball bearing type with rigid base. Explosion-proof or totally enclosed construction All standard voltages for 60 and 50 hertz are available
<b>Fan</b>	Aluminum blade. Steel spider and hub with 5/8" (15.875 mm) bore Optional Heresite® coating for corrosive atmospheres
<b>Fan Guard</b>	Split design with close wire spacing, meets OSHA requirements
<b>Mounting</b>	Four 3/8" (9.5 mm) diameter holes Must be mounted to a rigid structure
<b>Frame Material</b>	16-gauge (0.060" / 1.52 mm) epoxy-coated steel Optional stainless-steel or Heresite® coating for corrosive atmospheres

Model	EFX12	EFX16	EFX20	EFX24	EFX30	
<b>Fan Diameter</b>	12" (305 mm)	16" (406 mm)	20" (508 mm)	24" (610 mm)	30" (762 mm)	
<b>Motor*</b>	1/2 HP, 60Hz (0.373 kW)	1/2 HP, 60Hz (0.373 kW)	1/2 HP, 60Hz (0.373 kW)	1/2 HP, 60Hz (0.373 kW)	3/4 HP, 60Hz (0.560 kW)	
<b>Motor Speed</b>	1725 RPM	1725 RPM	1725 RPM	1725 RPM	1140 RPM	
<b>Net Weight</b>	51.0 lbs (23.1 kg)	55.0 lbs (24.9 kg)	59.0 lbs (26.7 kg)	61.0 lbs (27.7 kg)	67.0 lbs (30.4 kg)	
<b>Shipping Weight</b>	56.0 lbs (25.4 kg)	61.0 lbs (27.7 kg)	67.0 lbs (30.3 kg)	96.0 lbs (43.5 kg)	114.0 lbs (51.7 kg)	
<b>Dimensions</b>	<b>Width</b>	16.1" (410 mm)	20.2" (513 mm)	24.2" (615 mm)	28.1" (715 mm)	34.0" (863 mm)
		<b>Height</b>	18.2" (462 mm)	23.1" (588 mm)	27.1" (688 mm)	31.0" (788 mm)
	<b>Depth</b>		15.4" (392 mm)	14.9" (378 mm)	16.1" (410 mm)	15.5" (394 mm)

**Note:**  
50Hz units also available.

EFX



Explosion-Proof Exhaust Fan

## Model Coding

EFX 12 A 1 A

EXHAUST FAN MODEL	
EFX	EXHAUST FAN

FAN SIZE	
12" (305 mm) DIA	12
16" (406 mm) DIA	16
20" (508 mm) DIA	20
24" (610 mm) DIA	24
30" (762 mm) DIA	30

CABINET MATERIAL	
EPOXY POWDER COATED CARBON STEEL	A
HERESITE® PHENOLIC COATED CARBON STEEL	B
Stainless-steel	C

MOTOR ELECTRICAL			
	VOLTS	PHASE	HERTZ
A	115	1	60
B	208	1	60
C	208	3	60
D	230	1	60
E	230	3	60
①② F	460	1	60
G	460	3	60
H	575	3	60
I	220	1	50
J	380	3	50
② K	440	3	50

MOTOR ENCLOSURE	
1	TOTALLY ENCLOSED
2	X-PROOF, GR C, D, E, F & G
② 3	WASHDOWN
② 4	WASHDOWN Stainless-steel
② 5	SPECIAL MOTOR

### Note:

- ① Only available for Class 1 Group D, Class 2 Group F & G.
- ② Consult factory for motor availability.

### Air Flow Rating

MODEL	AIR DELIVERY AT STATIC PRESSURE (INCHES-WATER GAGE)									
	0.00	0.05	0.10	0.15	0.20	0.25	0.30	0.38	0.50	
EFX12	CFM	1543	1498	1450	1389	1313	1215	1098	931	756
	m <sup>3</sup> /hr	2622	2544	2464	2359	2231	2065	1866	1582	1284
EFX16	CFM	2320	2249	2172	2101	2022	1936	1815	1558	1420
	m <sup>3</sup> /hr	3942	3821	3691	3570	3436	3289	3083	2646	2412
EFX20	CFM	3727	3651	3577	3501	3406	3309	3220	3021	2488
	m <sup>3</sup> /hr	6333	6203	6077	5948	5787	5623	5471	5134	4228
EFX24	CFM	4501	4392	4286	4162	4053	3924	3796	3633	3401
	m <sup>3</sup> /hr	7647	7463	7281	7071	6885	6667	6450	6173	5779
EFX30	CFM	6635	6205	5929	5634	5377	5149	4925	4563	3976
	m <sup>3</sup> /hr	11273	10542	10074	9572	9135	8748	8368	7753	6755

EFX

Performance Data for 60 Hertz Motor

<b>60 Hertz EFX Explosion-Proof Exhaust Fan</b>					
Class I, Div. 1 & 2, Groups C,D, Class II, Div. 1 & 2, Groups E,F,G					
Model	Fan Size	Voltage	Phase	Approximate Shipping Weight	
				lbs	kg
EFX-12A-2A	12	115	1	56	26
EFX-12A-2B	12	208	1	56	26
EFX-12A-2C	12	208	3	56	26
EFX-12A-2D	12	240	1	56	26
EFX-12A-2E	12	230	3	56	26
EFX-12A-2G	12	460	3	56	26
EFX-12A-2H	12	575	3	56	26
EFX-16A-2A	16	115	1	61	29
EFX-16A-2B	16	208	1	61	29
EFX-16A-2C	16	208	3	61	29
EFX-16A-2D	16	230	1	61	29
EFX-16A-2E	16	230	3	61	29
EFX-16A-2G	16	460	3	61	29
EFX-16A-2H	16	575	3	61	29
EFX-20A-2A	20	115	1	67	31
EFX-20A-2B	20	208	1	67	31
EFX-20A-2C	20	208	3	67	31
EFX-20A-2D	20	230	1	67	31
EFX-20A-2E	20	230	3	67	31
EFX-20A-2G	20	460	3	67	31
EFX-20A-2H	20	575	3	67	31
EFX-24A-2A	24	115	1	96	44
EFX-24A-2B	24	208	1	96	44
EFX-24A-2C	24	208	3	96	44
EFX-24A-2D	24	230	1	96	44
EFX-24A-2E	24	230	3	96	44
EFX-24A-2G	24	460	3	96	44
EFX-24A-2H	24	575	3	96	44
EFX-30A-2A	30	115	1	114	52
EFX-30A-2B	30	208	1	114	52
EFX-30A-2C	30	208	3	114	52
EFX-30A-2D	30	230	1	114	52
EFX-30A-2E	30	230	3	114	52
EFX-30A-2G	30	460	3	114	52
EFX-30A-2H	30	575	3	114	52

EFX

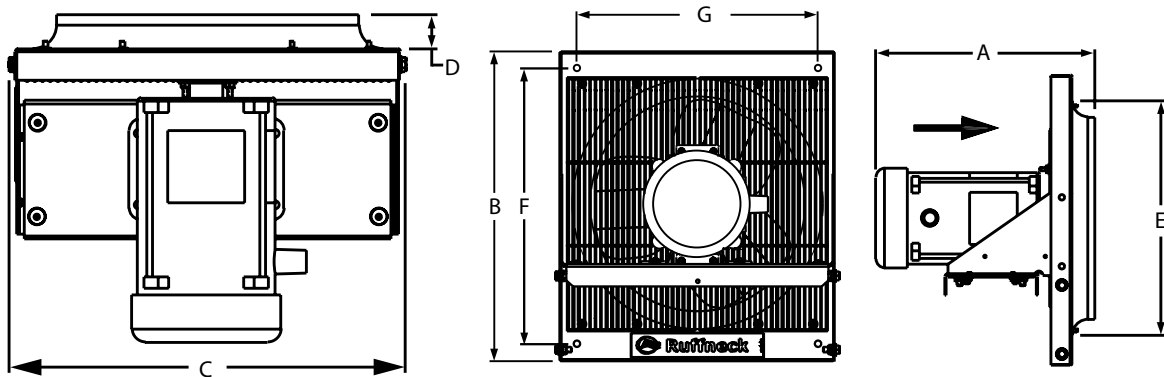


Explosion-Proof Exhaust Fan

## Performance Data for 50 Hertz Motor

<b>50 Hertz EFX Explosion-Proof Exhaust Fan</b>					
Class I, Div. 1 & 2, Groups C,D, Class II, Div. 1 & 2, Groups E,F,G					
Model	Fan Size	Voltage	Phase	Approximate Shipping Weight	
				lbs	kg
EFX-12A-2I	12	220	1	56	26
EFX-12A-2J	12	380	3	56	26
EFX-12A-2K	12	440	3	56	26
EFX-16A-2I	16	220	1	61	29
EFX-16A-2J	16	380	3	61	29
EFX-16A-2K	16	440	3	61	29
EFX-20A-2I	20	220	1	67	31
EFX-20A-2J	20	380	3	67	31
EFX-20A-2K	20	440	3	67	31
EFX-24A-2I	24	220	1	96	44
EFX-24A-2J	24	380	3	96	44
EFX-24A-2K	24	440	3	96	44
EFX-30A-2I	30	220	1	114	52
EFX-30A-2J	30	380	3	114	52
EFX-30A-2K	30	440	3	114	52

### EFX Explosion-Proof Exhaust Fan Physical Dimensions



DIMENSION	EFX-12	EFX-16	EFX-20	EFX-24	EFX-30	
A	mm	392.1	377.8	409.6	393.7	396.9
	in	15.4	14.9	16.1	15.5	15.6
B	mm	461.9	588	687.9	787.9	942.3
	in	18.2	23.2	27.1	31	37.1
C	mm	410	512.5	614.5	714.5	862.5
	in	16.1	20.2	24.2	28.1	34
D	mm	79.4	57.2	91.7	76.2	88.9
	in	3.1	2.2	3.6	3	3.5
E	mm	373.3	475.6	577.3	677.3	835.3
	in	14.7	18.7	22.7	24.7	32.9
F	mm	411.1	537.2	637.1	737.1	891.5
	in	16.2	21.2	25.1	29	35.1
G	mm	359.2	461.7	563.7	663.7	811.7
	in	14.1	18.2	22.2	26.1	32

EFX