

Sure Seal™ Pipeline System

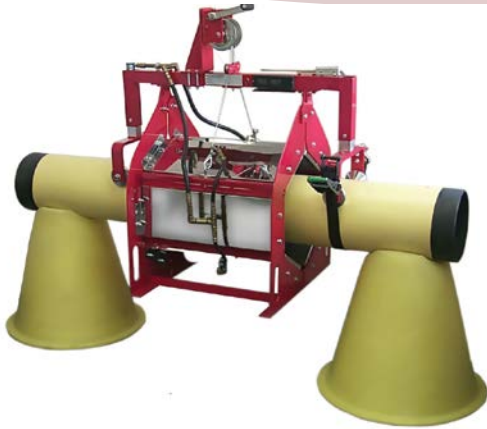


TABLE 10 - Product Dimensions & Data

Part #	Pipe Dimensions				Wt.	Approx. Propane Consump.
	Diameter	L	W	H		
	in (mm)	in (mm)	in (mm)	in (mm)	lbs (kg)	(lb/hr)
SS2-4/24	2 - 4 (51 - 102)	40 (1016)	30 (762)	15 (381)	78 (35)	2.2
SS6-8/24	6 - 8 (152 - 203)	40 (1016)	32 (813)	19 (483)	85 (39)	2.2
SS10-12/24	10 - 12 (254 - 305)	40 (1016)	34 (864)	23 (584)	93 (42)	2.2
SS16-18/24	16 - 18 (406 - 457)	40 (1016)	40 (1016)	28 (711)	122 (55)	3.8
SS20-24/36	20 - 24 (508 - 610)	52 (1321)	52 (1321)	40 (1016)	205 (93)	5.5

The Cata-Dyne™ Sure Seal™ pipeline system is a unique infrared heating system consisting of a number of Cata-Dyne™ heaters mounted in a clamshell frame configuration to provide a safe and fast method of applying heat to the construction and maintenance of various sizes of pipeline systems.

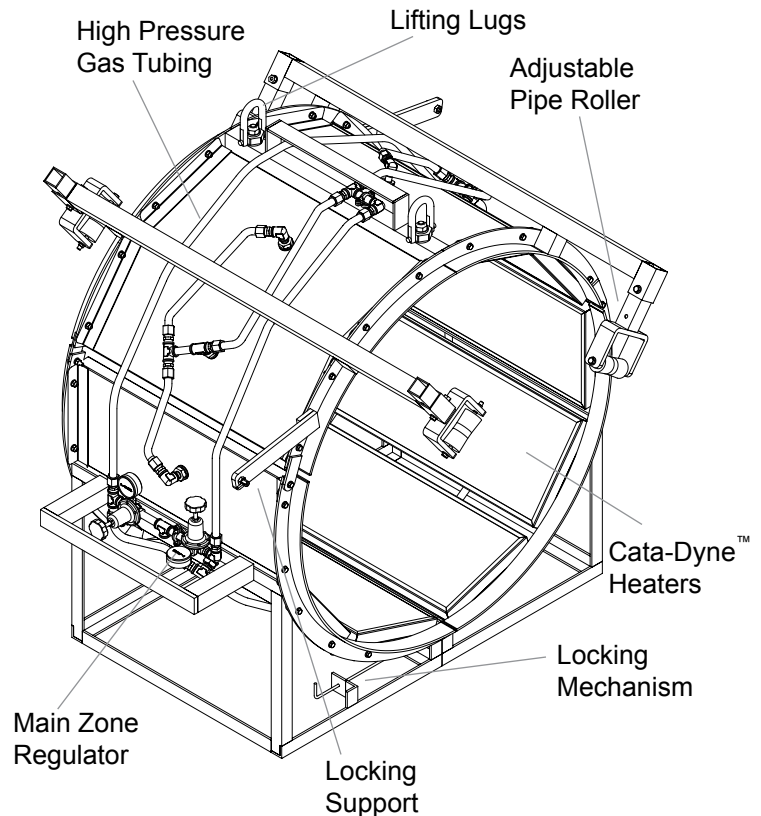
Applications

Large surface area of the Cata-Dyne™ heater allows for efficient transfer of infrared heat that can be utilized in a variety of pipeline applications.

- suitable for preformed or wrap around sleeves
- ideal for both preheat and shrink sleeve processes
- can be used for baking to remove hydrogen induced cracking
- appropriate for a variety of manufacturers' sleeves
- can be used in windy or poor weather

Features

- utilizes the Cata-Dyne™ heater for high temperature applications
- models available for 2" (51 mm) diameter or greater pipelines
- requires no water, electricity or compressed air to operate
- faster than tiger torch methods and uses less propane
- portable and easily operated by one person, depending on pipeline sizes
- custom built equipment and other options are available upon special request
- utilizes the hottest catalytic gas heater on the market



Sure Seal™ Pipeline System